



OUR VALUABLE CUSTOMERS

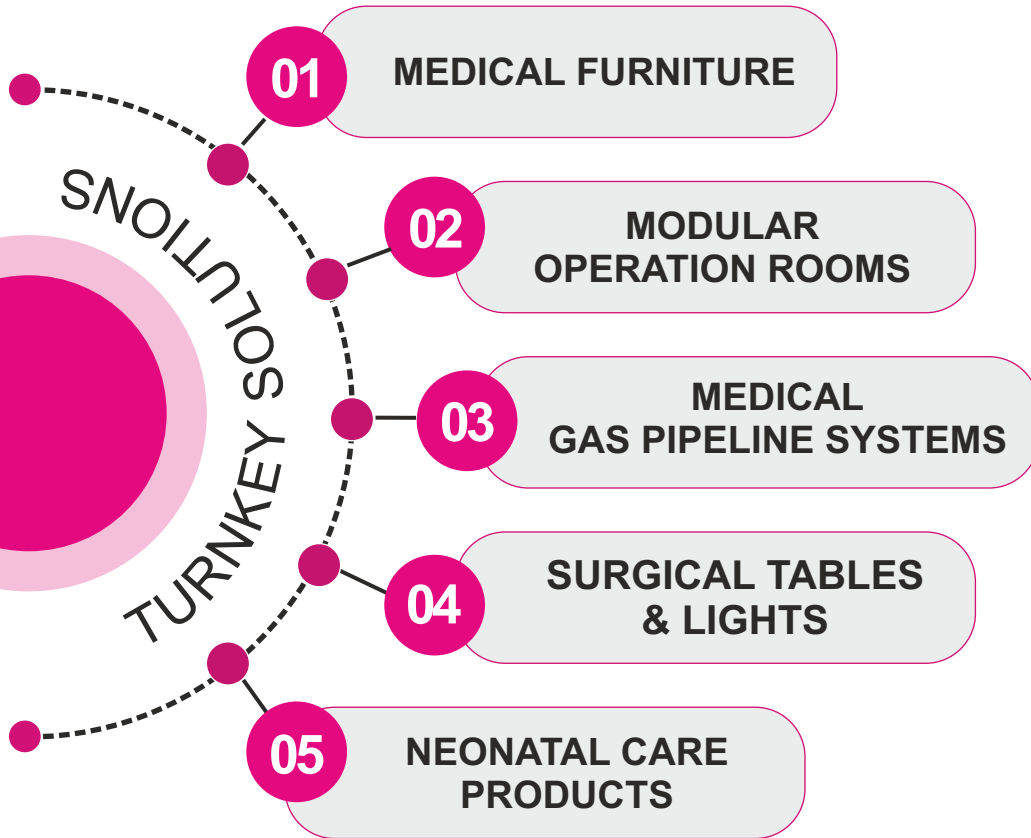


and many more...

Quality CERTIFICATES



Turnkey Solutions



Our Exhibitions



Our Factory



AWARDS



Business Excellence Award for the "Innovative Design in Health Care Solutions", by Cabinet Minister Dr. Harsh Vardhan (Ministry of Science & Technology) Delhi 2015



"Fastest Growing Indian Company Excellence Award" by IEDRA, Delhi 2016



CIMS Excellence Award for "Best Upcoming Health Care Solution Provider – Products & Services", Mumbai 2015



GEM of India Award, Mumbai 2015



Business Excellence Award for "Best Entrepreneur of the Year - Sundar Bhalotia", Delhi 2015

Our Showroom View



HISTORY

Carevel Medical Systems Private Limited (CMSPL) is a privately owned organisation led by an Experienced & Competent team providing excellent service to both public and private hospitals. CMSPL was established to provide unparalleled products service and support to the entire Healthcare Industry. We have an efficient infrastructure and highly trained and multi-skilled staff to bring you a range of services to suit every situation.

We are an **ISO 9001 :2008, ISO 13485 : 2003, ISO 14001 : 2004, OHSAS 18001: 2007, CE compliance, CE Notified as per European Standards, BIFMA** company engaged in the business of manufacturing and marketing full range of **Medical Furniture, Modular Operation Rooms, Medical Gas Pipeline Systems** and take turn-key projects.

CMSPL is a part of **MTM Group of Companies** which is a 150- Cr turn-over group having a wide variety of Industries like **Logistics, Sponge Iron Manufacturing, Gold Merchants and Real Estates Developers.**

At CMSPL, Integrity and Trustworthiness, are the basis of our commitment to our customers and employees. CMSPL values a strong culture of trustworthiness towards its employees and from its employees. These values form the backbone of the organisation and will continue to provide the framework to realize CMSPL'S potential and goal in the future. We focus on innovation that helps us deliver solutions that best serve our clients and customers.

CORE VALUES

- Delivering Quality
- Honouring Commitment
- Accountability
- Team Work
- Quest for Knowledge and Information

WHY CAREVEL

- Legacy of more than 2 decades
- Valued Supply Credentials
- Quality Control and Check
- Certified by National & International Standards
- Environment Friendly
- Customer Satisfaction



HEAD OFFICE
(WEST BENGAL)



SPONGE IRON MANUFACTURING UNIT



REAL ESTATE DEVELOPING

QUALITY CONTROL AND R&D

Development is a continuous process for us. We are an ISO 9001, ISO 13485, ISO 14001, OHSAS 18001, WHO-GMP & BIFMA, Anti Microbial Cu+ Certified and European CE Notified Company.

FAIR BUSINESS PRACTICES

Strictly follow fair business practices, believes in transparency and ethics. Committed to providing our customers Economical, Cost Effective, High Quality Products and Services in the shortest possible time schedule.

CAREVEL PHILOSOPHY

At Carevel, we believe in "Care with Innovations" and with a sense of urgency to deliver innovations. We are inspired by the needs of our customers and the doctors and healthcare providers. This passion combined with Carevel world-class engineering transforms the service into best in class product and quality assurance. The energy and enthusiasm in each of us bring everyday to Carevel is palpable. We are constantly in the pursuit of better patient care and understand that speed is critical because life cannot wait. There are three fundamental pillars that serve as the foundation for our company.





Modular
Operation
Rooms





Carevel Medical Systems Pvt. Ltd.

Modular Operation Rooms

Carevel Medical Systems Pvt Ltd (CMSPL) is one of the leading manufacturers of the most advanced category of Modular Operation Rooms (MOP). Our MOR Suite is state of the art modular operation room designed keeping in view the relevant National (NABH) and International Standards. It does not only integrate all modules in the OT, but also can consider integrating various OT Equipment that are used in the OT (optional), such as LED OT light, OT table, Digital Signal Transmission, OT climate parameters, Gas alarms etc. Hence CMSPL Modular Operation Room offers total integrated operation room not just modular theatre. We have a well-trained with hands of experience and thorough knowledge about the latest technology guidelines. We are highly capable in executing the projects to perfection as per the guidelines and schedules. We are all set with our products services for the Pharmaceuticals, Biotechnology, Hospitals, R&D Laboratories, Medical Devices, Electronics, Engineering, Food Processing,



Cold storage rooms, HVAC Mechanical Systems and other critical manufacturing environments in which contaminant restriction is critical. Our Vision is committed in building long-term relationships based on integrity, performance & dedication. We will continue to upgrade ourselves to meet the changing needs of our clients with our quality services, delivery schedules by our well experienced team to the best of client satisfaction.

- **Reliable Service**
- **Quality Materials**
- **International Standards**
- **Expert Training**
- **Strong Staff**



Carevel Medical Systems Pvt. Ltd.

OR Modules

- **Wall & Ceiling**
- **Laminar Air Flow with Air Handling Unit & External Outdoor Unit**
- **Hermetically Sealing Door**
- **Electrostatic Discharge & Conductive Flooring (ESD)**
- **Pendants**
- **Display & Control Panel**
- **LED Peripheral Lights**
- **Pressure Relief Dampers**
- **Hatch Box/ Pass Box**
- **Magnetic Writing Board**
- **X-Ray View Box**
- **Storage Unit**
- **Scrub Station**
- **Double Glazed Vacuumised Window with Motorized Blinds**



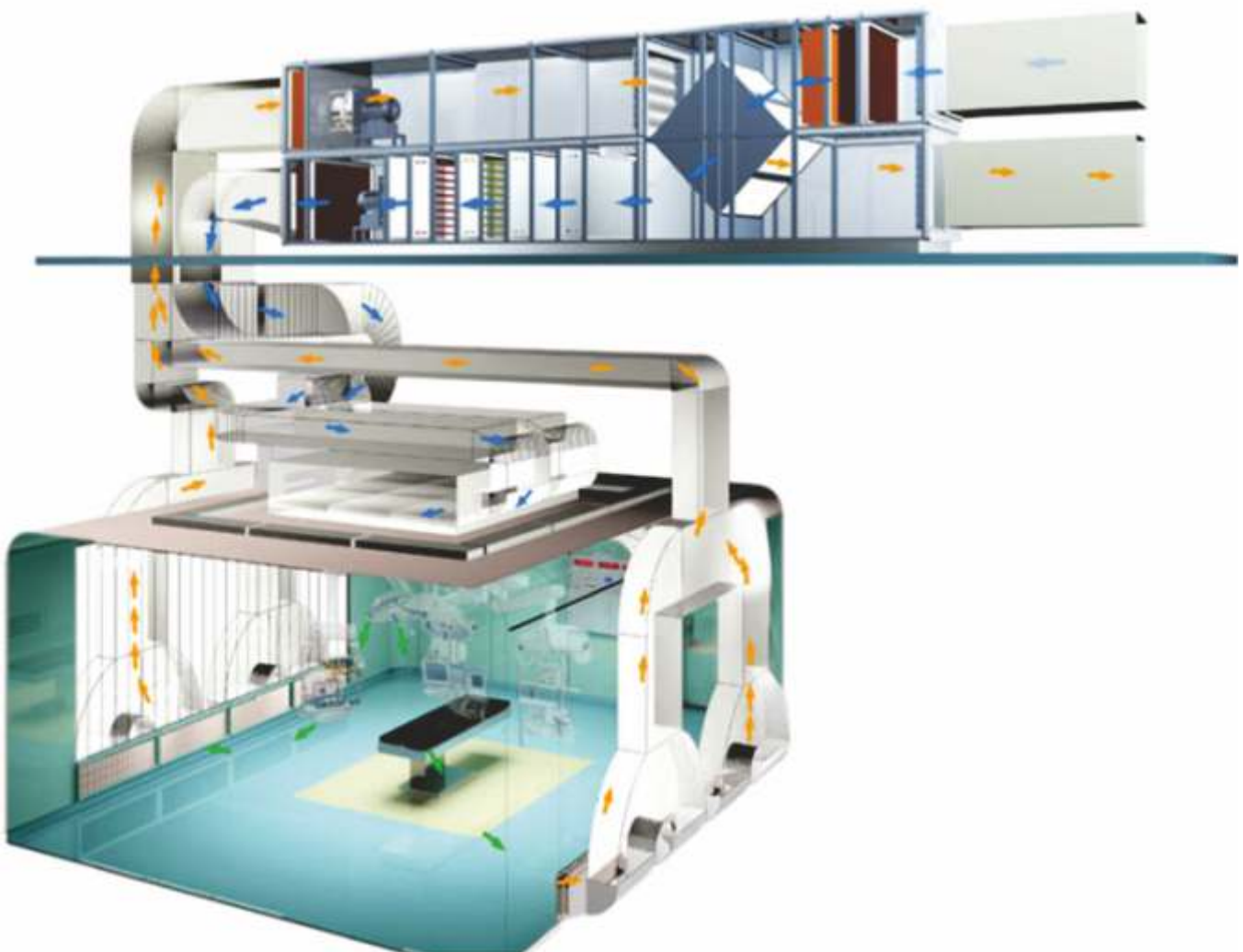




Laminar Air Flow with Air Handling Unit & Outdoor Unit

For Steady, Turbulence-free & Clean Air Inside The Operation Room

Laminar Air Flow ensures that the flow of air in the operation room is continuous, steady, unidirectional and moving with a low uniform velocity in parallel planes. The air flows steadily without letting contaminated particles be picked up from one spot and deposited in another, instead it ensures that they are carried away from the working area to the exhaust point.





Air Handling Unit (AHU)

The Air Handling Unit (AHU) is an integral part of an operation room used to re-condition and circulate air as part of a heating, ventilating and air-conditioning system. The basic function of the AHU is to take in outside air, re-condition it and supply it as fresh air to a building. All exhaust air is removed, which creates an acceptable indoor air quality. Depending on the required temperature of the re-conditioned air, the fresh air is either heated by a recovery unit or heating coil, or cooled by a cooling coil.

- Size of Plenum - 6'x8' or 8'x8' (other sizes also available)
- Purity of Air through Mini Pleat Type HEPA Filters for class 100 air quality
- Air Velocity - 0.45m /sec. (90-120 FPM)
- Air changes - 30 times per hour, with fresh air 20%
- Size of filter grid 6'x8' with Pre-filters (other sizes also available)
- Positive Air Pressure 2 to 15 Passal (As per ISO 14644)
- Temperature -18 to 24 degree
- Humidity -40-60%
- Compatible Air Handling Unit (AHU) for each OR
- Return air duct from all corners modular ceiling with built in flush lights
- 2 stage Pre-filtration-10 microns & 5 microns



*Reference Picture Only
(Specification also changes as per client requirement)*



LED Vertical Type O.T. Pendant

CMSPL supplies & installs a complete range of clinical pendants /beams, These are ceiling mounted systems that provide simple and convenient access to multiple gas, electrical and data outlets at a safe height wherever they are needed. The range includes fully-flexible multi-movement pendants and beams specifically designed for use in critical care and operating theatres and rigid and retractable pendants designed for operating, anesthetic and ancillary rooms.

Efficiency manage your space and devices keeping the floor free



Space Management

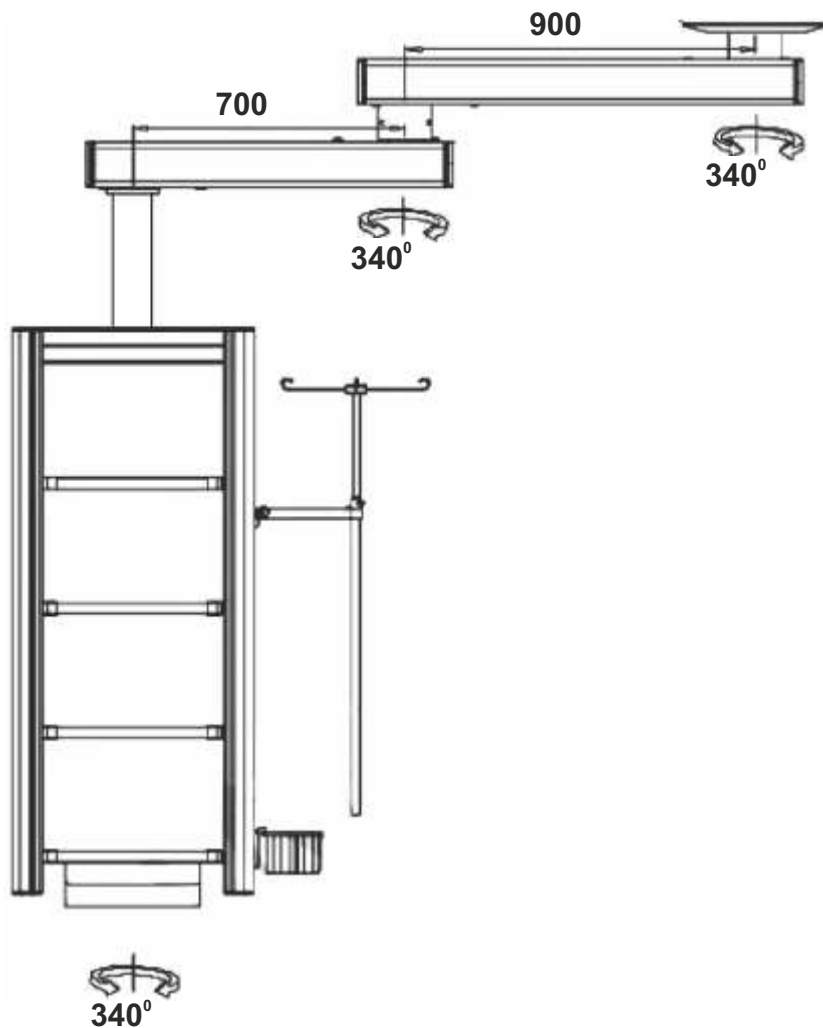
the pendant efficiently manages all essential clinical equipment such as, medical gases electrical, videos, audio and communication equipment.

Customized Shelving & Installation

Outlets, such as Oxygen, Nitrous Oxide, Compressed air and Vacuum can be placed according to your requirements. Even the shelves can be customized as per your requirements, Additional provision for Oxygen outlet with humidifier and mask, IV holder, Adapt Monitor mounting which can be adjusted easily according to the requirement.

Ease of Use

The pendants allow for easy adjustment; oi shelves, Storage drawers with stainless stet handles, configured with 340 degree range of arm rotation with locking device non-drifting. Aluminium handles provided on pendant for eas positioning.





Electrostatic Discharge Flooring (ESD)

Our Flooring Offers Consistent, Effective Appearance And Performance

The ESD Floor is made to combat electrostatic discharge at source by facilitating a uniform flow of static electricity directly to ground point. We are offering an optimum quality range of Homogeneous and Conductive Flooring, It is highly recommended in operation rooms where gases and/or electronic equipment are used during medical procedures.



Pressure Relief Dampers

Robust, maintenance-free and functional

Pressure Relief Dampers (PRD) are placed to prevent excess pressure in the OR, The AHU pumps in a lot of air every minute and the OR is hermetically sealed. PRDs are placed strategically in the OR to equalize the air pressure in the OR by opening just for micro second. Pressure Relief Dampers

- Working Range:5-35 Pa
- Blades made of Aluminium, casing made of galvanized Steel
- Blades open when the maximum differential is exceeded and close automatically when the pressure drops
- Blade locking with permanent magnet
- Robust, maintenance-free construction
- Available in standard sizes and many intermediate sizes



LED Peripheral Lights

Work with Optimum visual conditions in your OR



We provide excellent engineering and ceiling lighting solutions to ensure that your operation room is optimally illuminated and is easy to maintain.

- Intensity can be controlled via Control Panel.
- IP54 Compliant

Display & Control Panel

Concentrate on the patient needs; for the rest we are there

All the controls for the Modular Operation Rooms are provided on a membrane type, micro controller based electronic control panel mounted in the room wall. Our control panel meets the electrical safety codes for high and low voltage systems. It is user friendly and made with superior quality UV resistant membrane with sterilization feature.



The Control Panel consists of six or nine tiles as per your requirement.



Control Panel Tiles :

- Time of the day clock
- Elapsed time clock
- Temperature display/control
- Humidity display/ Lighting control/ Dimming
- Medical gas alarm systems
- Hands free telephone
- HEPA filter status indicator
- OT pressure indicator
- Music control

Hatch Box / Pass Box

Hygienic transfer hatches that minimize the risk of contamination

Hatches are vital in an OR to provide a safe and easy way to transfer waste materials from the OR to the adjacent dirty linen area.

Each hatch is equipped with two doors that operate electronically. The hatch is designed in such a way that only one door should be opened at one time. UV light is installed in the chamber so that it is kept ON while both the doors are closed. This UV light has to be automatically turned on in case of opening of either of the doors. There are indicators on both side of the OT so that door open / close status can be monitored from both ends.

Size : Length-600mm X Weight-600mm x Depth-600mm



Storage Unit

A convenient storage option with wall-integrated storage unit for all storage needs in the OR.

The units come with anti-bacterial paint coating and clear glass panes with magnetic catcher.

Standard Size of the storage is

Size : Length-1600mm X Weight-850mm x Depth-600mm





Scrub Station

Easy to maintain, durable and custom designed as per the OR layout

The scrub sink is available in manual mode with elbow, knee or foot operation in Single/Double/Triple faucets.

We provide splash-proof, sensor controlled scrub sinks that are an essential part of our OR installations, The scrub sinks are made of Stainless Steel with superior quality adjustable faucets. The sensor can sense the slightest of movements and is pre-programmed with 1, 3, 6 and 10 minutes of scrub setting (Can be changed as per requirement). It can be mounted on wall, a few inches above the ground, to keep the floor clean. The required thermostat valve is provided to mix hot and cold water for surgeon's comfort.



Magnetic Writing Board

A high finish writing board that comes in handy in the OR.

Made of ceramic having magnetic properties and is fixed to the wall of the operating room.



X-Ray View Box

We provide X-Ray view box that facilitates viewing of the X-Rays with ease. Special blast offers flicker free illumination with dimmer for optimum viewing.

Available with feather touch ON/OFF button with multistage of lighting intensity.





Double Glazed Vaccumized Window with Motorized Blinds

Ergonomically designed accessories for ease and accuracy

- Double insulated xed glazing with not less than 5mm thick toughened glass.
- Window frame shall be powdered coated Aluminium of approved shape ush mounted with wall paneling.
- Motorized horizontal Venetian Blinds with powder-coated
- Aluminium strips of vista level or equivalent of approved shade including necessary accessories,
- The motor shall be or reputed brand approved by Engineer-in-charge. The Venetian blinds should be motorized for 90 degrees rotational.
- Manual Blind also Available.



Hermetically Sealing Door

The importance of clean air in an Operation Room cannot be undermined. Hermetically sliding doors are specially designed to control the air pressure and prevent infections and bacteria to enter into the OR. The sliding doors also provide easier accessibility and better use of available space as compared to conventional door sets. Apart from the standard sizes, we also cover these doors in customization as per your special requirement.

Customisation in Stainless Steel can be done.

Our hermetically sealed sliding doors are available in variants!



Automatic Door



Manual Door

- Automatic Sliding
- Manual Sliding
- Swing Down Doors Single & Double Leaf

Also available Anti-Radiation, Lead Lined Doors for Radiology Department.



CMS-EL-ADJUSTABLE EXAMINATION LIGHT



Specification:

With protective Fire Resistant ESG Safety Glass for Scratch Proof, Fast Disinfection Process, Protects UV and IR Rays and improve light penetration. With Special European Design for Ventilation of Heat. Body is Made of High Quality Fire Resistant Polymer.

TECHNICAL DATA	
INTENSITY	40000 LUX + - 10 %
SIZE OF LIGHT FIELD	12-30 CM
COLOUR TEMPERATURE	4800 K
COLOUR REDUCTION INDEX	93 RA
LED LIFE	50000 HRS.
NUMBER OF LED	21
DIAMETRES OF LIGHT	150 MM
POWER SUPPLY	220V/50 Hz AC
FOCUSING	ADJUSTABLE
BATTERY BACKUP	OPTIONAL

CMS-EL-FIXED EXAMINATION LIGHT



Specification:

With Protective Fire Resistant ESG Safety Glass for Scratch Proof, Fast Disinfection Process, Protects UV and IR Rays and Improve Light Penetration. With Special European Design for Ventilation of Heat. Body is made of High-quality Fire-resistant Polymer.

TECHNICAL DATA

INTENSITY	25,000 LUX + - 10 %
SIZE OF LIGHT FIELD	100 mm
COLOUR TEMPERATURE	4800 K
COLOUR REDUCTION INDEX	93 RA
LED LIFE	50000 HRS.
NUMBER OF LED	7
DIAMETRES OF LIGHT	125 MM
POWER SUPPLY	220V/50 Hz AC



Endo Mode

To meet the requirement of low ambient illumination



General Mode



Endo Mode

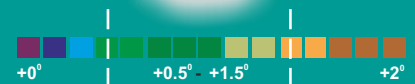
PERFECT SHADOW FREE ILLUMINANCE EFFECT

Thanks to large amount of led lights and multiple Emitting positions & led light sources any obstructions With surgeon's shoulder or hands will not affect the Surgical wound area with any cast shadows

Maximum Economy & Highest Reliability

Its technological advances make it a good long term investment due to low maintenance and operating running cost. With various light head configurations, it maximizes the comfort of the surgeon and forbids the tissue dehydration even during long time operations.

- The minimal life expectancy of each LED is 50,000 hours
- Sophisticated LED thermal management keeps the temperature-rise of the space above surgeon's head and surgical region extremely low.





CMS SIGMA 3



CMS SIGMA 4



CMS SIGMA 5



CMS SIGMA 6



CMS SIGMA 3



CMS SIGMA 4



CMS SIGMA 6+3



CMS SIGMA 6+4



CMS SIGMA 6+5



CMS SIGMA 6+6



CMS SIGMA 5+3



CMS SIGMA 5+4



CMS SIGMA 5+5



CMS SIGMA 4+3



CMS SIGMA 4+4

CMS SIGMA 3+3

Model	No. of Model	Light Intensity	Size of Light Field	Colour Temperature	CRI	LED Life	No. of LED	Light Diameter
CMS SIGMA 3	Single	100,000 LUX	12-30 cm	4000-5000 k	93 RA	>50,000 HRS	63	600 mm
CMS SIGMA 4	Single	130,000 LUX	12-30 cm	4000-5000 k	93 RA	>50,000 HRS	84	600 mm
CMS SIGMA 5	Single	160,000 LUX	12-30 cm	4000-5000 k	93 RA	>50,000 HRS	105	600 mm
CMS SIGMA 6	Single	180,000 LUX	12-30 cm	4000-5000 k	93 RA	>50,000 HRS	126	600 mm
CMS SIGMA 6+6	Double	180,000+180,000 LUX	12-30 cm	4000-5000 k	93 RA	>50,000 HRS	126+126	600 mm X 2
CMS SIGMA 6+3	Double	180,000+100,000 LUX	12-30 cm	4000-5000 k	93 RA	>50,000 HRS	126+63	600 mm X 2
CMS SIGMA 6+4	Double	180,000+130,000 LUX	12-30 cm	4000-5000 k	93 RA	>50,000 HRS	126+84	600 mm X 2
CMS SIGMA 6+5	Double	180,000+160,000 LUX	12-30 cm	4000-5000 k	93 RA	>50,000 HRS	126+105	600 mm X 2
CMS SIGMA 5+3	Double	160,000+100,000 LUX	12-30 cm	4000-5000 k	93 RA	>50,000 HRS	105+63	600 mm X 2
CMS SIGMA 5+4	Double	160,000+130,000 LUX	12-30 cm	4000-5000 k	93 RA	>50,000 HRS	105+84	600 mm X 2
CMS SIGMA 5+5	Double	160,000+160,000 LUX	12-30 cm	4000-5000 k	93 RA	>50,000 HRS	105+105	600 mm X 2
CMS SIGMA 4+3	Double	130,000+100,000 LUX	12-30 cm	4000-5000 k	93 RA	>50,000 HRS	84+63	600 mm X 2
CMS SIGMA 4+4	Double	130,000+130,000 LUX	12-30 cm	4000-5000 k	93 RA	>50,000 HRS	84+84	600 mm X 2
CMS SIGMA 3+3	Double	100,000+100,000 LUX	12-30 cm	4000-5000 k	93 RA	>50,000 HRS	63+63	600 mm X 2

All lights have power supply of 220v/50hz

Capacitive touch panel will be provided for brightness control

Battery back up is optional for all lights

Single dome lights can be provided with mobile stands for the movement of the equipment

CMS Sigma 5+5 A



FEATURES

- The operating light designed for the use in high demanding surgical procedures.
- Light head is designed with smooth transition and surface to ensure fast and effective cleaning.
- State of the art LED Bulbs used to ensure low energy consumption and long service life.
- Revolving outer handle at the light head provide to allow focusing.
- The light have feather touch control panel on the light suspension for adjustment of light intensity on/off.
- Precise positioning at all points of articulation without drift.
- Ensure effortless movement inside calibrated arms ambient light for minimally invasive surgery.
- Micro computer digital control with shifts luminance 10%-100% for selection.
- Homogenous light in the operating field with minimum shadow.
- Flexible and stable balance arms suspension system for height and angle.
- Optimized air flow design for better hygiene.

TECHNICAL DATA

Light Intensity @ 1m	3,00,000 Lux
Number of LED's	90+90
Life-Span of LED's	50000 hrs.
Focus Dia	15-25 cm
Light Head Size	62.5 cm
Depth of Illumination	120 cm
Color Rendering Index Ra (1)	92
Color Temperature	4300 K
Illuminating Adjustment	10%-100%
Height Adjustment	120 cm
Total Power Consumption	80W
Focusing Adjustable	
Power Supply	160V-240V DC, 50Hz
Control Unit	SMPS

CMS Sigma 4+4 A



FEATURES

- The operating light designed for the use in high demanding surgical procedures.
- Light head is resistant to disinfectant, easy to clean.
- State of the art LED Bulbs used to ensure low energy consumption and long service life.
- Simple mechanical focusing handle can be removed and sterilized
- Offer the highest possible hygiene during surgery through touch free adjustment for
 - Intensity
 - On/Off
- Ensure effortless movement inside calibrated arms ambient light for minimally invasive surgery.
- Micro computer digital control with shifts luminance 10%-100% for selection
- Excellent day light quality
- Flexible and stable balance arms suspension system for height and angle.
- High light intensity across the full illuminated area for uniform vision.
- Allows for optimum illumination of the surgical field.

TECHNICAL DATA

Light Intensity @ 1m	2,40,000 Lux
Number of LED's	72+72
Life-Span of LED's	50000 hrs.
Focus Dia	15-25 cm
Light Head Size	62.5 cm
Depth of Illumination	120 cm
Color Rendering Index Ra (1)	92
Color Temperature	4300 K
Illuminating Adjustment	10%-100%
Height Adjustment	120 cm
Total Power Consumption	80W
Focusing	Adjustable
Power Supply	160V-240V DC, 50Hz
Control Unit	SMPS

CMS Sigma 3+3 A



FEATURES

- The operating light designed for the use in high demanding surgical procedure.
- State of the art LED Bulbs used to ensure low energy consumption and long service life.
- Light head is resistant to disinfectant, easy to clean.
- Digital controller with LCD display for showing all important parameter like intensity, on/off
- Excellent day light quality and CRI.
- Micro computer digital control with shifts luminance 10%-100% for selection.
- Precise positioning at all points of articulation without drift.
- Flexible and stable balance arms suspension system for height and angle.
- Ability to adjust the focus dia by sterilize handle.
- High light intensity across the full illuminated area for uniform vision & exceptionally deep cavity.

TECHNICAL DATA

Light Intensity @ 1m	2,00,000 Lux
Number of LED's	54+54
Life-Span of LED's	50000 hrs.
Focus Dia	15-20 cm
Light Head Size	52.5cm
Depth of Illumination	100 cm
Color Rendering Index Ra (1)	92
Color Temperature	4300 K
Illuminating Adjustment	10%-100%
Height Adjustment	120 cm
Total Power Consumption	50 W
Focusing Adjustable	
Power Supply	160V-240V DC, 50Hz
Control Unit	SMPS

CMS Sigma 5A



CMS Sigma 5A Mobile

TECHNICAL DATA

Light Intensity @ 1m	150000 Lux
Number of LED's	90
Life-Span of LED's	50000 hrs.
Focus Dia	15-25 cm
Light Head Size	62.5cm
Depth of Illumination	120 cm
Color Rendering Index Ra (1)	92
Color Temperature	4300 K
Illuminating Adjustment	10%-100%
Height Adjustment	120 cm
Total Power Consumption	50 W
Focusing	Adjustable
Power Supply	160V-240V DC, 50Hz
Control Unit	SMPS



CMS ULTRA 500 + 500

Adjustable Colour Temperature



**ULTRA-THIN
LED DOME**



Optional : 360° Rotation | Wireless Wall Controller

M Memory Function

E Endo Mode

FEATURES

Shadowless Light, Memory Function, High quality sterilizable handle, With protective fire resistant ESG safety glass for scratch proof, fast disinfection process, protects UV and IR rays and improve light penetration. Body is made of high quality fire resistant polymer.

Single non winged round shape lamp head for easy maintenance and better sealing against dust and fumigation.

OPTIONAL: BATTERY BACKUP

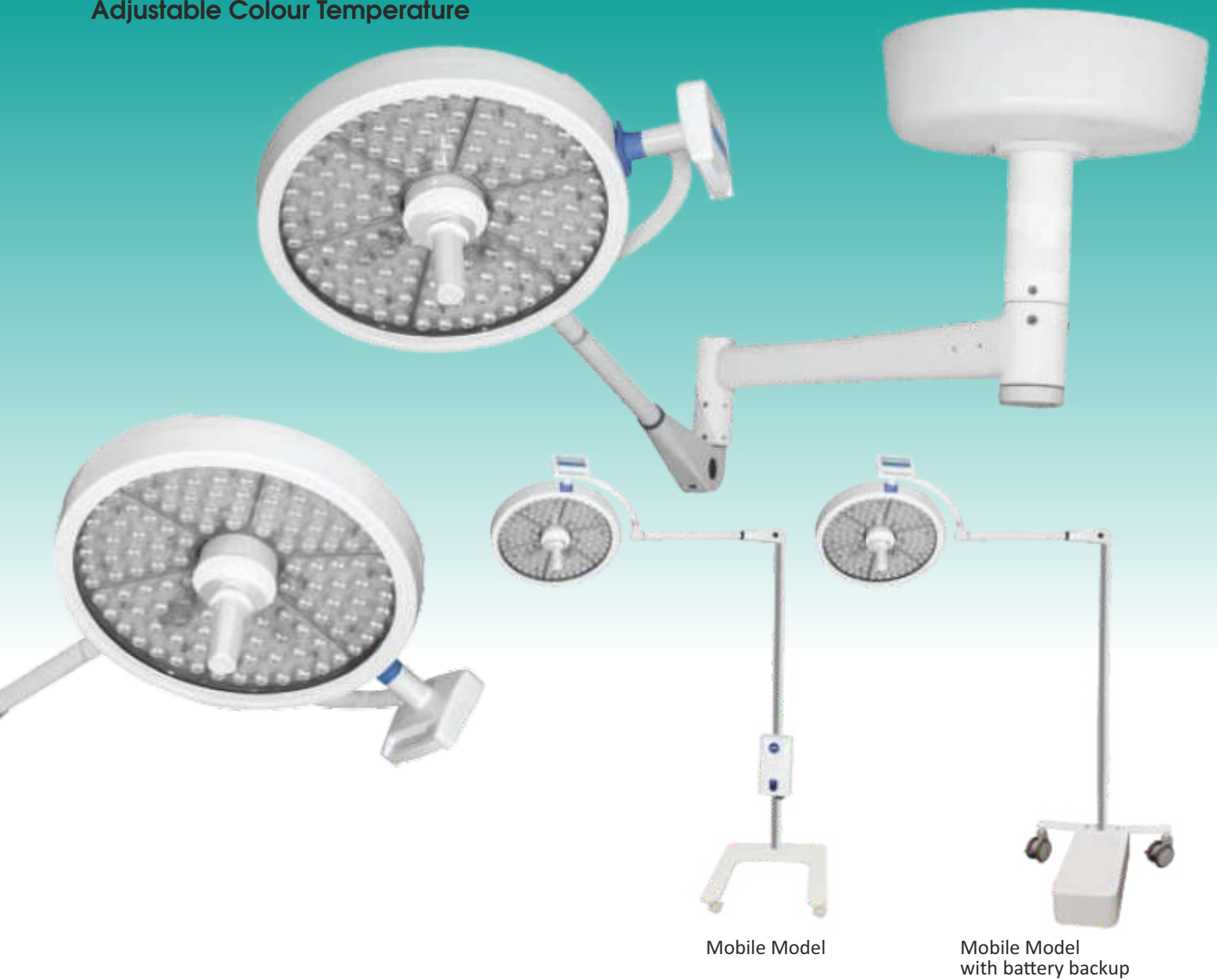


TECHNICAL DATA

Intensity	1,60,000 + 1,60,000 Lux ±10%
Size of Light Field	12-30 cm
Colour Temperature	4000-5000 K
Colour Rendering Index	93 RA
LED Life	>50000 Hrs.
Number of LED	126 +126
Diameter of Light	500mm x 2
Brightness Control	Capacitive Touch Panel
Power Supply	220V/50Hz AC
Colour of LED	White & Yellow (Double Colour)
Focusing	Adjustable
Monitor / Camera	Optional

CMS ULTRA 500

Adjustable Colour Temperature



Mobile Model

Mobile Model with battery backup

Optional : 360° Rotation | Wireless Wall Controller

M Memory Function

E Endo Mode

FEATURES

Shadowless Light, Memory Function, High quality sterilizable handle, With protective fire resistant ESG safety glass for scratch proof, fast disinfection process, protects UV and IR rays and improve light penetration. Body is made of high quality fire resistant polymer.

Single non winged round shape lamp head for easy maintenance and better sealing against dust and fumigation.

OPTIONAL: BATTERY BACKUP



TECHNICAL DATA

Intensity	1,60,000 ±10%
Size of Light Field	12-30 cm
Colour Temperature	4000-5000 K
Colour Rendering Index	93 RA
LED Life	>50000 Hrs.
Number of LED	126
Diameter of Light	500mm
Brightness Control	Capacitive Touch Panel
Power Supply	220V/50Hz AC
Colour of LED	White & Yellow (Double Colour)
Focusing	Adjustable
Monitor / Camera	Optional



Sliding Top Electric OT Table



Additional Control Panel



Zero Position



Memory Function



Sliding Top



C-9001 Supreme



Height Adjustment
-Down



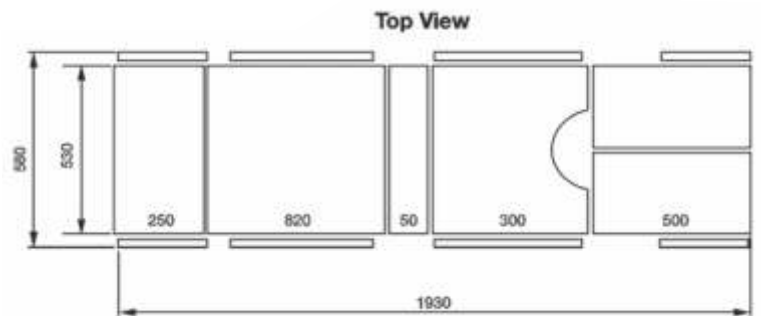
Height Adjustment
-UP



Lateral Tilt
-Left



Lateral Tilt
-Right





Sliding Top Electric OT Table

C-9001 Supreme

This Motorized sliding top QT Table is suitable for all kind of surgeries, i.e. general surgery, vascular surgery, cardio, neurology, urology, gynaecology, proctology, laparoscopy, traumatic surgery, plastic surgery and others. The base & column of the table is made of high quality medical stainless steel. Non- reflecting surface, antibacterial & easy to clean. We provide with a top sliding of 5 inch back/forward. Height adjustment, Lateral Tilts, Trendelenburg, and Flex - Reflex, Chair Position and Longitudinal Sliding top are realized by Remote control.

Technical Data

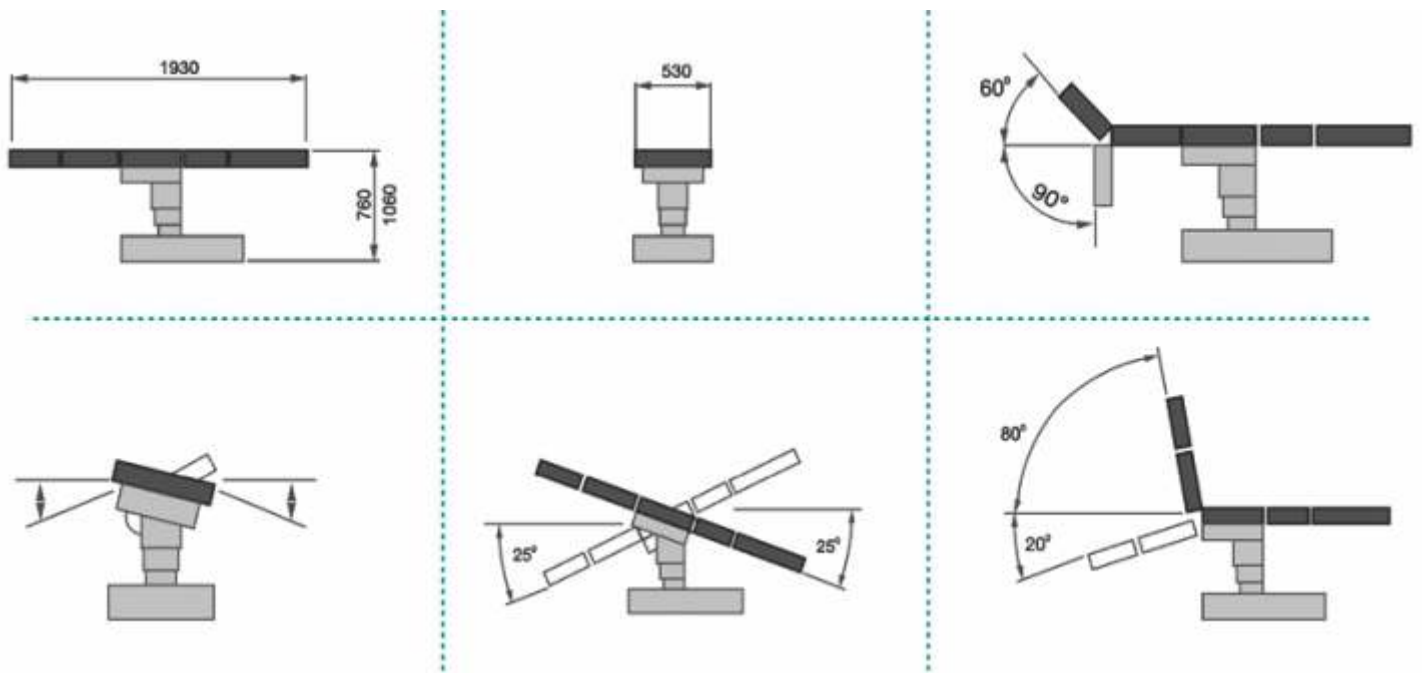
Length of Table	1900 mm
Width of Table Top	520mm
Minimum Height (without Mattress)	Min. 750 mm
Maximum Height (without Mattress)	Max. 1000 mm
Trendelenburg	25°
Reverse Trendelenburg	25°
Lateral Tilt	+20°
Back Section	+20°
Head Section	+60°
Leg Section	0°-90°
Top Sliding	5" Reverses & 5" Forward

Salient Features

- Eccentric Pillars
- Stainless Fitting
- Detachable, head, leg & Pelvic section
- Five Sectional Radio - Translucent Top
- Base & Cover made of attractive, easy to clean Stainless Steel
- Sophisticated mechanics provide smooth, step less articulation of the table Tap for precise patient positioning.
- Stand by Battery Back-up with recharging circuit (Optional)

Measurements

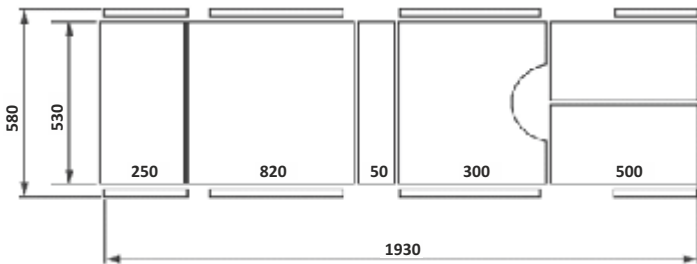
Standard Dimension (mm)



C-9002 Electric



Top View



Length of Table	1900 mm
Width of Table Top	520mm
Minimum Height (without Mattress)	Min. 750 mm
Maximum Height (without Mattress)	Max. 1000 mm
Trendelenburg	25°
Reverse Trendelenburg	25°
Lateral Tilt	±20°
Back Section	±20°
Head Section	±60°
Leg Section	0°-90°
Floor Locking System	Manual

Salient Features

- Eccentric Pillars
- Stainless Fitting
- Detachable, head, leg & Pelvic section
- Five Sectional Radio - Translucent Top
- Base & Cover made of attractive, easy to clean Stainless Steel
- Sophisticated mechanics provide smooth, step less articulation of the table Tap for precise patient positioning.
- Stand by Battery Back-up with recharging circuit (**Optional**)



Sliding Top Electro Manual OT Table

C-9001A

Electro Manual Multipurpose OT Table with Dual Operations specialize for Cadiology, Bariatric Orthopaedic, Neurology, Laparoscopy, Urology, OB/ Gynae Procedures with the addition of table accessories.

Detachable leg section offer
perineal access



750 mm- 1050 mm
or
650 mm- 800 mm

Selector panel for operation mode



Optional :
Battery Backup with enough power for
several hours of operations in case of power failure

Pedal operated braking system
secures the table in its place
while in use



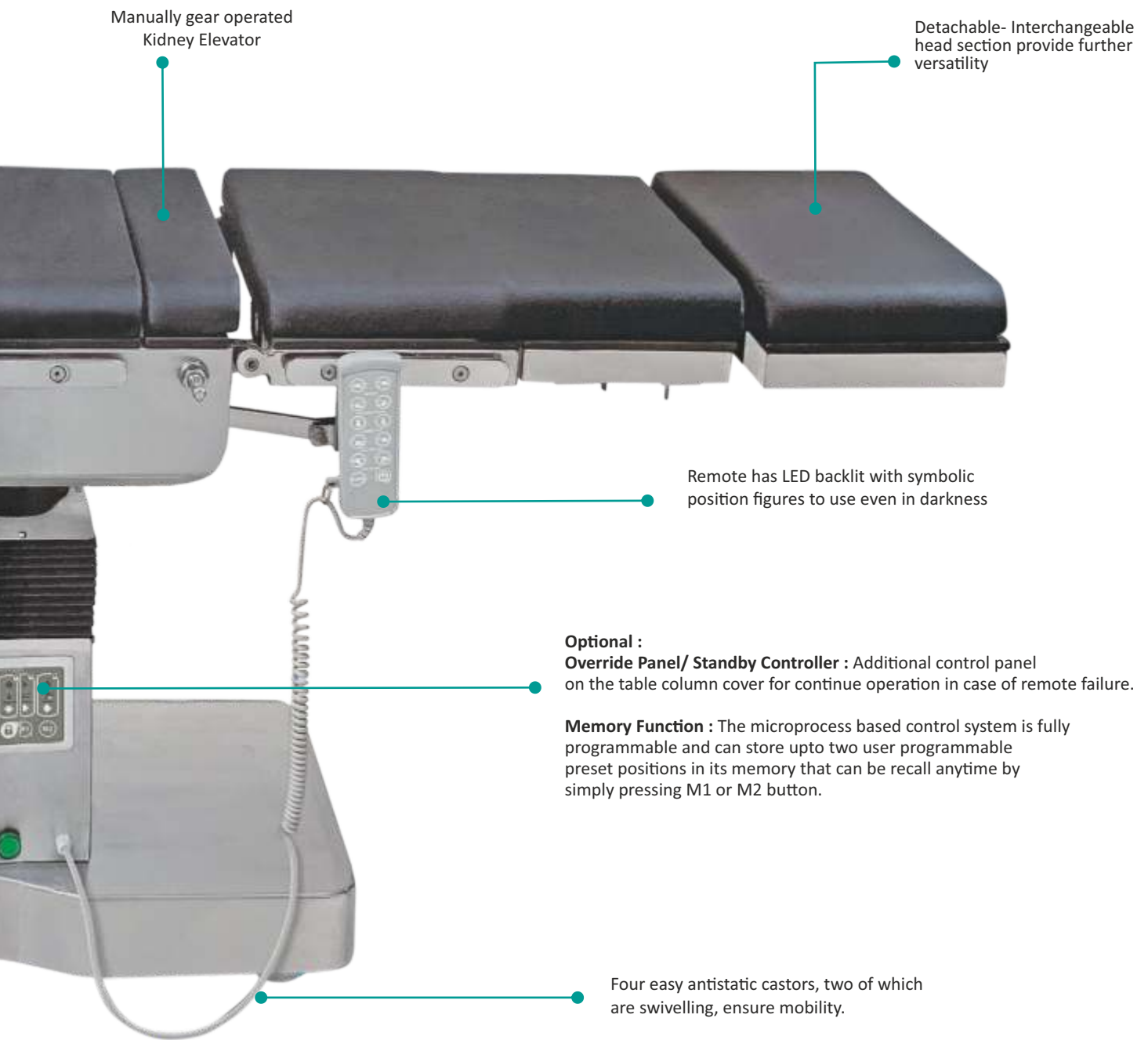
Standard Features



An antibacterial conductive decompressed mattress protects against bedsores that may occur during a long operation and facilitates cleaning after an operation

Manual Override as secondary power source for operation in case of electrical operation failure.





Manually gear operated
Kidney Elevator

Detachable- Interchangeable
head section provide further
versatility

Remote has LED backlit with symbolic
position figures to use even in darkness

Optional :
Override Panel/ Standby Controller : Additional control panel
on the table column cover for continue operation in case of remote failure.

Memory Function : The microprocess based control system is fully
programmable and can store upto two user programmable
preset positions in its memory that can be recall anytime by
simply pressing M1 or M2 button.

Four easy antistatic castors, two of which
are swivelling, ensure mobility.

Optional Attachments



Three sectional back plate with detachable
shoulder rests for shoulder surgery.

Fully detachable head supports. Head rest
with ball joint clamb for precise patient
positioning



Equipped with a large translucent longitudinal/ sliding top 300 mm providing more accessibility of C-ARM functions without patient reversing.

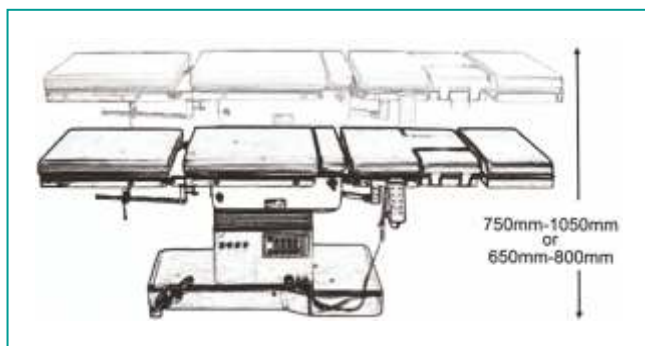


Longitudinal Top 300 mm (Optional)

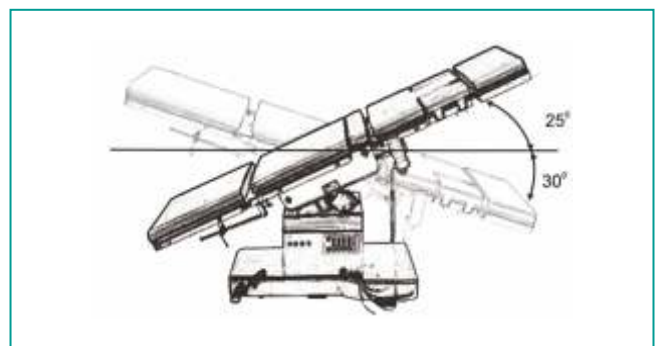


Extendable table top width 100 mm for Obesity Patients

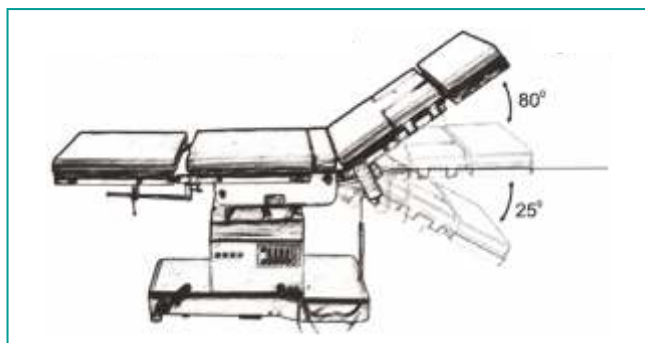
Table Positions



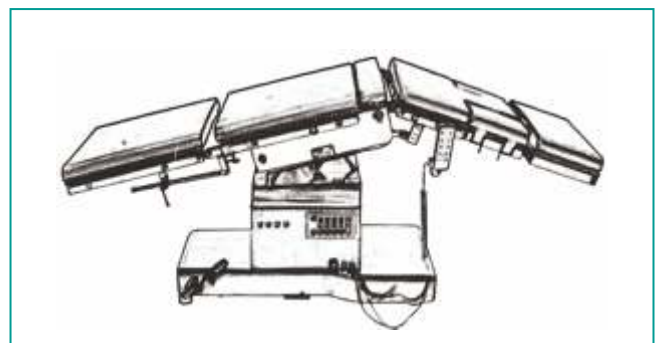
Height Adjustment



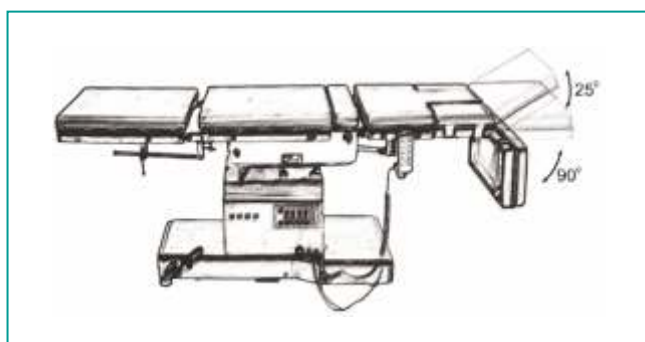
Trendelenburg / Rev. Trend



Back Rest (Upward/Downward)



Flex Reflex



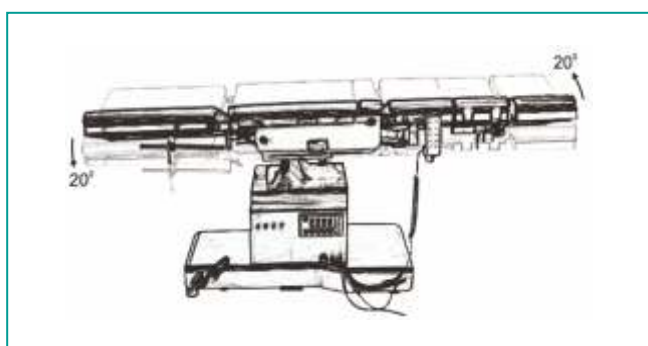
Head Rest (Upward/ Downward)



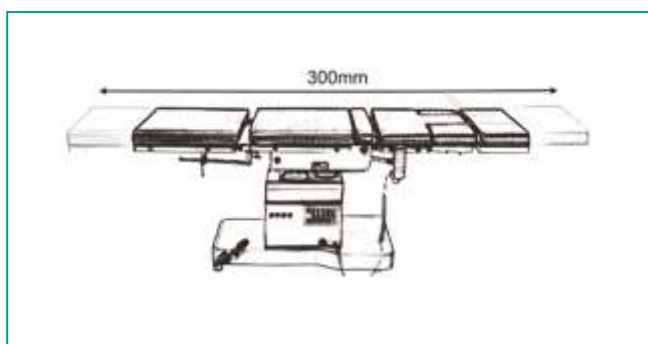
Leg Rest (Downward)

TECHNICAL CONSTRAINTS

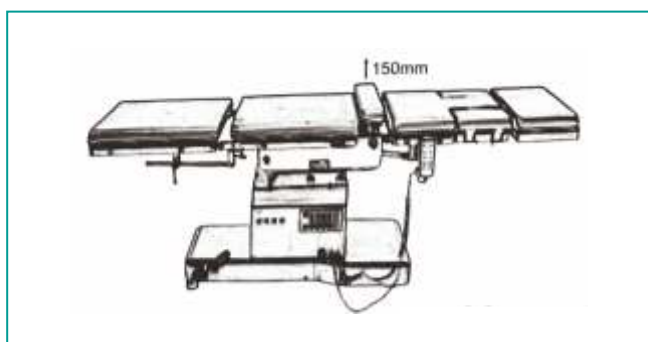
Top dimension	L 1980 x W 533 mm
Height adjustment with pad	750 mm - 1050 mm
Longitudinal/ Sliding Top (optional)	300 mm
Trendelenburg / Rev. Trend.	30°/25°
Lateral tilt left/ right	20°/20°
Kidney elevator	150 mm
Back rest (upward/ downward)	80° x 25°
Leg rest (upward /downward)	15° x 90°
Head rest (upward / downward)	25° x 90°
Power Supply	24V DC
Battery backup (optional)	3 hours
Patient weight capacity	300 kgs (666 lbs)



Lateral Tilt Left/ Right



Longitudinal/ Sliding Top (optional)



Kidney Elevator

FEATURES

- Electro drives with noiseless, jerk less and smooth positioning.
- Table positions i.e. Height adjustment, Trendelenburg, Reverse Trendelenburg, Lateral Tilt, Back Section/ Chair Position, Flex- Reflex, Longitudinal Top are controlled by sigie operation i.e. Corded Handset with graphical icons.
- Zero Position to make table neutral by simply pressing 'O' positioning button.
- Safety key to block motor system in critical operations.
- Table top is divided into 5 sections providing numerous articulation possibilities.
- Radiolucent table top with C-ARM & X-RAY compatibility.
- Integrated weight compensation by manual adjustment of the head and leg sections.
- Non-corrosive stainless steel 304G construction including table top frames, accessories rail, base cover and column telescopic covers.

C-9002 A

Electro Manual Multipurpose OT Table with Dual Operations specialize for Orthopaedic, Laparoscopy, Urology, ERCP Procedures with the addition of table accessories.



TECHNICAL CONSTRAINTS

Top dimension	L 1980 x W 533 mm
Height adjustment with pad	750 mm - 1050 mm
Trendelenburg / Rev. Trend.	30°/25°
Lateral tilt left/ right	20°/20°
Kidney elevator	150 mm
Back rest (upward/ downward)	80° x 25°
Leg Rest (upward /downward)	15° x 90°
Head rest (upward / downward)	25° x 90°
Power Supply	24V DC
Patient weight capacity	200 kgs (440 lbs)

FEATURES

- Electro Manual drives with noiseless, jerk less and smooth positioning.
- Table positions i.e. Height adjustment, Trendelenburg, Reverse Trendelenburg, Lateral Tilt, Back Section/Chair Position, Flex-Reflex are controlled by dual operations i.e. Corded Handset & Manual Override with graphical icons.
- Zero Position to make table neutral by simply pressing '0' positioning button.
- Safety key to block motor system in critical operations.
- Table top is divided into 5 sections providing numerous articulation possibilities.
- Radiolucent table top with C-ARM & X-RAY compatibility over the entire length of the table.
- No cross bar on the table top making it very suitable for fluoroscopy.
- Offset column provide unrestricted access of C-RAM.
- Integrated weight compensation by manual adjustment of the head and leg sections.
- Non-corrosive stainless steel 304G construction including table top frames, accessories rail, base cover and column telescopic covers.

O.T. Table Hydraulic

C-9003



- Major Hydraulic Operating Table (C-Arm Compatible / Head-End Controlled)
- C-Arm Compatible hydraulic operating table Head-End controlled.
- Five section X-Ray permeable acrylic sheet top.
- Base column covered with SS sheets base.
- Heavy duty castors with floor locking mechanism
- Detachable leg section which can be fitted on to head section
- In built Kidney Bridge and X-Ray permeable hand rest with adjustable support bar.
- Provided with best quality mattress.

TECHNICAL DATA

Dimension	1900+500 mm (+/-10mm)
Height	720-1050 mm (+/-12mm)
Trendlenburg' Position	25 deg (+/-3 deg)

O.T. Table Universal

C-9004



Accessories



Anesthetic Scree



Leg Support



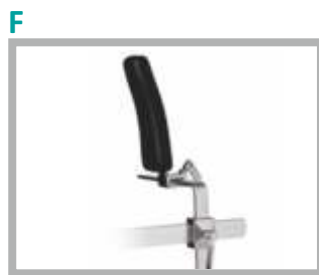
Clamps



ARM Rest



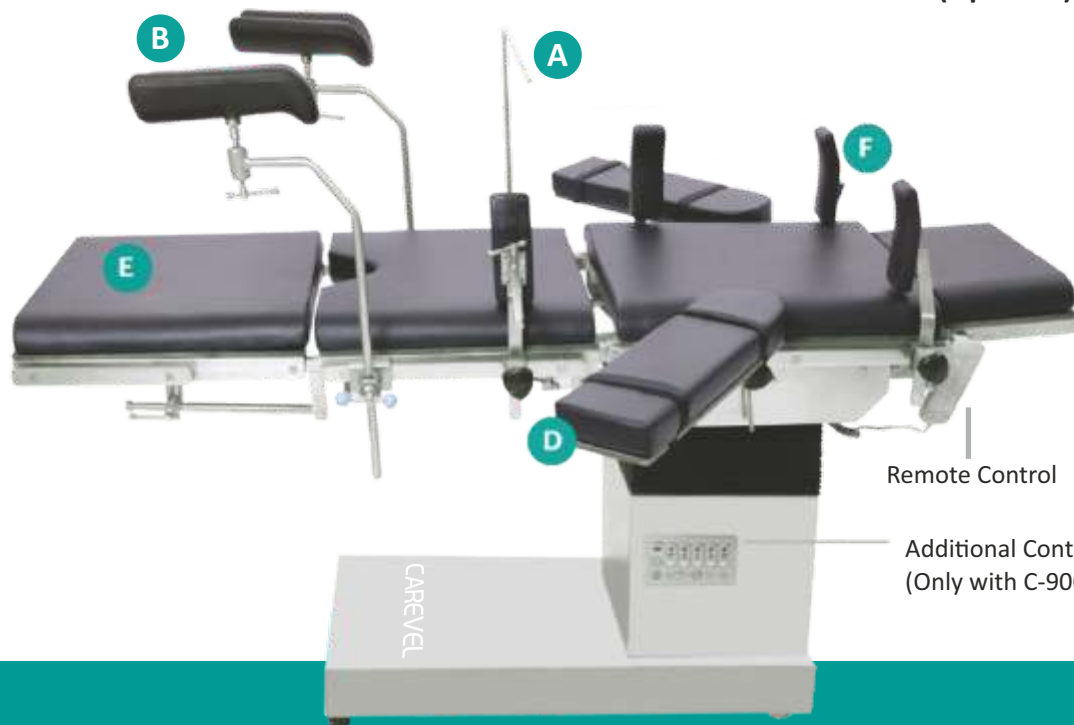
Mattress



Shoulder Support



Accessories Stand (Optional)



Remote Control

Additional Control Panel (Only with C-9001 Supreme)




O.T. Table Semi Electric C-9007



FEATURES

- Electric up & down by cable remote
- Trendelenburg / Reverse Trendelenburg / Chair Position Controlled through Manually
- Eccentric Pillars
- Stainless Fitting
- Detachable, head, leg & Pelvic section
- In built kidney bridge
- Five Sectional Radio - Translucent Top.
- Base & Cover made of attractive, east to clean Stainless Steel.
- Sophisticated mechanics provide smooth, step less articulation of the table Top for precise patient positioning.

OPTIONAL: BATTERY BACKUP 

TECHNICAL DATA

Length of Table	2000 mm
Width of Table Top	520 mm
Minimum Height (without Mattress)	Min. 750 mm
Maximum Height (without Mattress)	Max. 1000 mm
Trendelenburg	25°
Reverse Trendelenburg	25°
Lateral Tilt	±20°
Back Section	±70°
Head Section	±60°
Leg Section	0°-90°
Floor Locking System	Manual



Height Adjustment
-Down



Height Adjustment
-UP



Trendelenburg



Reverse
Trendelenburg

C-9101 ORTHO ATTACHMENT



Patient positioning for Neck of femur nailing traction (D.H.S)



Femur treatment in lateral position



Tibia extension position

Salient Features :

- The Orthopaedic Attachment can be used with any operating table.
- In addition, a pelvic support plate is supported on top of the frame and is formed with an asymmetrical construction.
- Stirring instruments allows flexion/raising of legs & stirring/string ball joints locked from foot end.
- Two traction devices on sliding spot with ball joint allowing flexions & rotations of foot with traction shoe with metallic sole.
- Padded orthopaedic knee crutches/provides support to the legs of the patient.

C-9201 NEURO ATTACHMENT



C-9201 NEURO ATTACHMENT

Option -1



Option -2





Medical 
Gas Pipeline
Solution





Medical Gas Pipeline Solution

From plant to the patient!

Carevel Medical Systems products are designed to provide a safe and effective method of delivering medical gases. Patient safety being our paramount focus, all our products are designed keeping in mind various International recommendations and standards.

With zero compromises on continuity and quality, our products provide a modern design with a huge scope of customizations according to end application and usage.



A



Gas Alarm

D



Gas Outlet

B



Pendants, Flowmeters & Bed Head

E



AVSU's & Modules

C



Pipeline

F



Plant & Manifolds





Medical Gas Pipeline Accessories



Back Pressure Compensated Flow Meter



Neonatal Oxygen Flow Meter



Oxygen Flow Meter



Mox Regulator with Flow Meter



Fa Valve with Flow Meter



Bubble Humidifiers

Ward Suction Units



600 ml



1000 ml



2000 ml (Clip Type Jar)



5000 ml

Vac Plus Regulator



Trap Unit

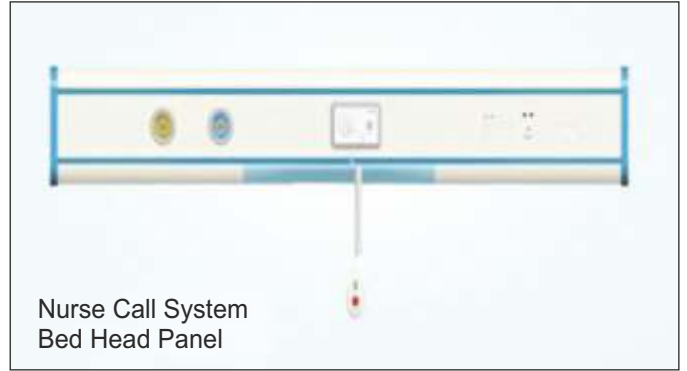


Suction

Bed Head Panel

Sleek design made of Aluminum Powder coated material with provisions for Gas Terminal Units and sockets for power and monitor.

- Very easy to assemble and configure.
- Easy modification to match customer requirements.
- Sliding Bar for IV Pole, Suction Unit and Basket.
- Available in different colors as per requirement.





CAREVEL CUBICAL CURTAINS



Patient Privacy is an important area to be addressed by today's modern healthcare institutes. Carevel is firmly established as a leading brand of Hospital Furniture, now providing patient privacy, with a unique blend of innovative design, practical effectiveness, and rugged reliability.

The attractive profile combines mechanical strength and flexibility with the smoothest performance and the design details gives rigidity and strength with great flexibility in layout whilst achieving a clean unbroken line in hospital wards.

We do provide our products with experienced installation and service team providing unrivaled level of support.

Cubicle Curtains are factory made and constructed from different woven fabrics stitched together. The top portion of open mesh of the curtain is required by the National Fire Protection Association (NFPA). The lower portion of the Cubicle curtain is opaque to ensure Patient Privacy.

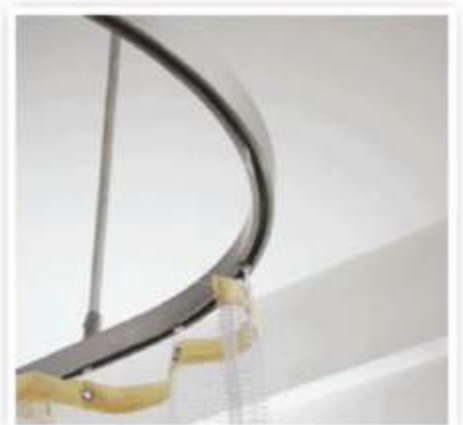
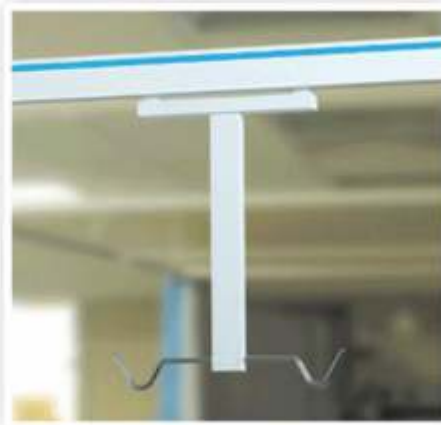
- Permanent Antimicrobial properties. Anti-odour and Anti-fungal.
- Helps avoid secondary infections in hospitals.
- High wash durability.
- Meets requirements of International Antimicrobial Test

Track System (CCTS)

As a complete service provider; Carevel's Ceiling Mounted IV Rail System, have been installed all over India. These are mainly used in: Normal Care, Pre and Post Operation care, Physician Practice and many other in the healthcare sector. Ceiling Mounted System makes the necessary freedom of movement of the nursery staff even in small rooms.

Benefits of Ceiling Mounted IV System Over Conventional IV Floor Stands.

- Ceiling Mount IV System uses no Floor Space & more viable is hospital busiest wards compare to old concept of IV Floor Stand.
- Ceiling Mount IV System poles are very easy to clean and dust free also prevents from floor infection therefore very hygienic.
- Ceiling Mount IV System allow patient to move & rotate without the risk of an accident such as knocked over & tripping over by anyone



Fogger:

An ideal tool for fogging disinfectants, fumigants, biocides, fungicides, sanitizers & pesticides. It Generates ultra-fine aerosol fog with Brea volume & area coverage capacity. Carevel Pro-Fogger is Ideal for aer fumigation in operation theatres, laboratories, clinics, disinfection in food & beverage plants etc.



Features:

- Ultra-fine and non-wetting aerosol, No excessive wetness.
- Uniform spread, sufficient contact time achieves assured disinfection.
- Safe for Medical & Clean Room Equipment.

Power Supply	220V AC, 50 Hz
Aerosols	Submicron size
Spread & Reach	35 ft. distance & 18.ft. height
Space Treatment	Up to 9000 cu. ft.
Treatment of 100 sq. ft. area	400 ml. disinfectant solution
Precision Metering System	0-80 ml./minute (Adjustable)
Solution Tan	5 ltr

Tank Gasket	Silicon Grade
Machine Handle	Stainless Steel
Hardware	Stainless Steel
Intake Air Filter	Uniquely designed Two layers for particulate dis & fog separation
Machine Weight	6 kg.



CAG ADVERTISING : 9810612122, 9871197377

CAREVEL MEDICAL SYSTEMS PVT. LTD.

HEAD OFFICE

7 C, N.S.B. Road, Sadananda
Chakraborty Lane, Raniganj
(West Bengal)

REGD. OFFICE & MANUFACTURING UNIT

S-34/35/36, Site-IV, Industrial Area Sahibabad,
Dist. Ghaziabad-201010 (U.P.) (National
Capital Region of Delhi), INDIA

BRANCH OFFICE

Carevel Medical System Pvt. Ltd.
Room No. 510, PSI XL 5th Floor, Atghara,
Chinar Park, Rajarhat, Kolkata-700 136
(West Bengal)

EXPORT DEPARTMENT

Mobile : +91-8860786236
E-mail : exports@carevelglobal.com

MARKETING DEPARTMENT

Mobile : +91-08860786226
E-mail : sales@carevelglobal.com
info@carevelglobal.com

www.carevelmedsystem.com

Toll Free No. : 1800-419-6944

